



DX140

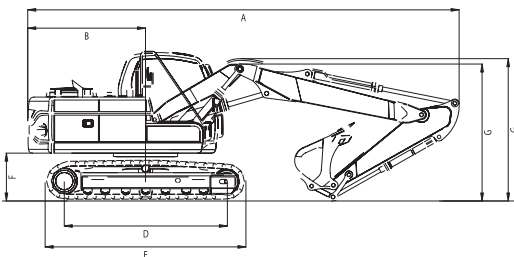
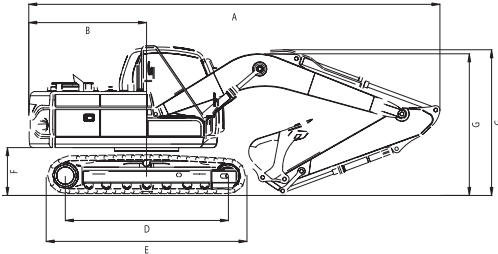
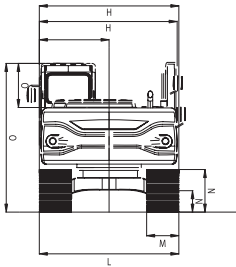
Engine power: 71 kW / 95 Hp at 1.850 rpm
 Operational weight: 14.000 kg
 Bucket capacity (SAE): 0,24 ~ 0,76 m³



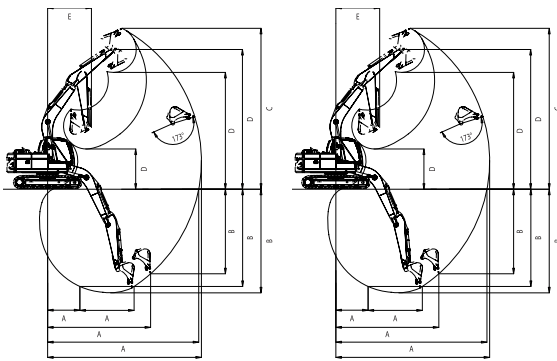
Doosan Infracore
 Construction Equipment

Dimensions – Boom: 4.600 mm - Arm: 2.500 mm - Shoe: 600 mm - Std.

Dimensions

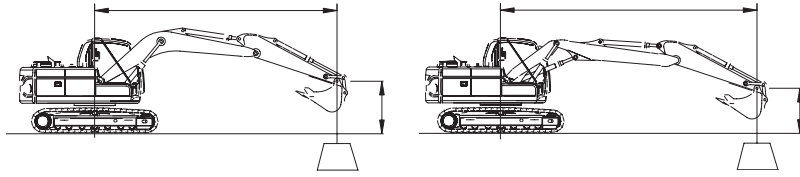


Working Ranges



Operating weight				
		kg	14.000	14.000
Bucket				
Capacity	SAE	m ³	2.500	3.000
Engine				
Model			DLo6	DLo6
Displacement		cc	5.890	5.890
Rated power/R. P. M.		Hp/rpm	95 / 1.850	95 / 1.850
		kW/rpm	71 / 1.850	71 / 1.850
Front Attachment				
Boom Length		mm	4.600	4.600
Arm Length (Std)		mm	2.500	3.000
Arm Length (Opt)		mm	/	/
Transport Dimension				
(A) Length		mm	7.680	7.640
(G) Height		mm	2.710	3.090
(G) Height (boom)		mm	2.630	3.030
(E) Width		mm	2.590	2.590
Working Range				
(A) Max. digging radius		mm	8.156	8.540
(B) Max. digging depth		mm	5.645	6.150
(C) Max. cutting height		mm	6.300	6.412
(D) Max. dumping height		mm	8.675	8.745
Tailswing radius		mm	2.375	2.585
Performance				
Max. digging force (ISO)	Bucket	kgf	11.100	11.100
	Arm	kgf	6.500	6.000
Traveling speed		km/h	4,7	4,7
Swing speed		rpm	10,7	10,7
Drawbar pull		kg	/	/
Hydraulics				
Pump	Type		Variable Displacement, Axial Piston	Variable Displacement, Axial Piston
Max. flow rate				
Main relief set pressure		l/min	2 x 114	2 x 114
		kg/cm ²	330	330
Track				
Shoe width		mm	600	600
Tumbler distance		mm	3.034	3.034
Control				
Lever control type			Hydraulic pilot	Hydraulic pilot
Lever pattern			SAE	SAE
Tank				
Fuel tank		l	280	280
Ground pressure				
		kg/m ²	0,36	0,36

Lifting Capacities



Standard – Boom: 4.600 mm - Arm: 2.500 mm - Bucket: SAE 0,51 m³ (CECE 0,45m³) - Shoe: 600 mm

Unit : 1.000 kg

B (m)	A (m)		2		3		4		5		6		Max Reach		A (m)	
	⊥	⊥	⊥	⊥	⊥	⊥	⊥	⊥	⊥	⊥	⊥	⊥	⊥	⊥		
7							*3,73	*3,73						*2,88	*2,88	4,24
6							*3,93	*3,93	*3,59	2,92				*2,45	*2,45	5,32
5							*3,61	*3,61	*3,72	2,94	*2,57	2,11		*2,25	2,08	6,04
4				*4,25	*4,25		*4,31	4,22	*4,05	2,92	3,42	2,13		*2,17	1,81	6,53
3							*5,38	4,11	*4,61	2,87	3,40	2,11		*2,16	1,66	6,83
2							*6,57	3,99	4,55	2,80	3,37	2,08		*2,20	1,59	6,98
1							6,52	3,88	4,48	2,75	3,33	2,05		*2,29	1,58	6,97
o (ground)							6,45	3,82	4,44	2,70	3,31	2,03		*2,45	1,64	6,82
-1				*6,07	6,04		6,42	3,79	4,41	2,68	3,30	2,02		*2,71	1,77	6,51
-2	*5,42	*5,42		*9,89	6,08		6,43	3,80	4,42	2,69	3,31	2,03		*3,13	2,03	6,01
-3	*9,35	*9,35		*9,47	6,15		6,47	3,84	4,46	2,72				4,15	2,54	5,24
-4				*7,27	6,27		*5,01	3,94						*4,55	3,74	4,14
-5														*2,88	*2,88	4,24

Option 1 – Boom: 4.600 mm - Arm: 3.000 mm - Bucket: SAE 0,51 m³ (CECE 0,45 m³) - Shoe: 600 mm

Unit : 1.000 kg

B (m)	A (m)		2		3		4		5		6		7		Max Reach		A (m)	
	⊥	⊥	⊥	⊥	⊥	⊥	⊥	⊥	⊥	⊥	⊥	⊥	⊥	⊥	⊥			
7																*2,44	*2,44	4,93
6									*3,18	3,06						*2,20	*2,20	5,88
5									*3,24	3,06	*3,20	2,24				*2,09	1,90	6,54
4							*3,61	*3,61	*3,62	3,03	3,53	2,23				*2,06	1,69	6,99
3				*5,76	*5,76		*4,74	4,24	*4,21	2,97	3,50	2,20	2,70	1,68		*2,08	1,56	7,28
2							*5,99	4,10	4,64	2,89	3,45	2,16	2,68	1,67		*2,14	1,50	7,41
1							6,61	3,96	4,56	2,82	3,41	2,12	2,66	1,65		*2,25	1,49	7,41
o (ground)				*5,12	*5,12		6,51	3,87	4,50	2,76	3,17	2,09	2,64	1,63		*2,43	1,53	7,27
-1				*6,60	6,04		6,45	3,82	4,46	2,73	3,35	2,07				2,65	1,63	6,98
-2	*5,23	*5,23		*9,26	6,05		6,44	3,82	4,45	2,72	3,35	2,06				2,95	1,83	6,52
-3	*8,09	*8,09		*10,28	6,11		6,47	3,84	4,47	2,74						3,51	2,18	5,85
-4	*12,22	*12,22		*8,69	6,21		*6,48	3,91								*4,70	2,91	4,88

1. The nominal forces are based on the SAE J1097 standard.

2. The load point is the hook at the rear of the bucket.

3. * = The nominal loads are based on hydraulic capacity.

4. The nominal loads do not exceed 87% of the hydraulic capacity or 75% of the capacity of the swing.

⊥ : Nominal force

⊥ : Nominal force at the side or 360°

DOOSAN Infracore Europe S.A.

1^a, rue Achille Degrâce
7080 Frameries, Belgium
Tel : +32-65-61 32 30 • Fax : +32-65-67 73 38

DOOSAN Infracore France

ZAC de la Clef Saint Pierre - Buroplus 2
1^a, avenue Jean d'Alembert
78990 Elancourt, France
Tel : +33-1-30 16 21 41 • Fax : +33-1-30 16 21 44

DOOSAN Infracore U.K., Ltd.

Doosan House, Unit 6, 3 Heol-Y-Gamlas, Parc Nantgarw,
Nantgarw, Cardiff CF15 7QU, U.K.
Tel : +44-1443-84-2273 • Fax : +44-1443-84-1933

DOOSAN Infracore Europe S.A. Germany

Heinrich-von-Stephan-Str. 2
D-40764, Langenfeld, Germany
Tel : +49-2173-2035212 • Fax : +49-2173-2035219

Head Office

Doosan Tower 26TH FL. 18-12, Euljiro-6Ga,
Jung-Gu, Seoul, Korea 100-730
Tel : +82-2-3389-8114 • Fax : +82-2-3389-8117

www.doosaneurope.com



Doosan Infracore

The illustrations do not necessary show the product in standard version.
All products and equipments are not available in all markets.
Materials and specifications are subjects to change without prior notice.
39-11_DX140LC Proto_UK_12/06 • Design by SizeCommunication.com