

**CROWN**

**PTH 50**

Series



# Performance

## A Reputation for Excellence in Execution

The Crown PTH 50 Series proves that it's not the size of the truck that matters, but how well it's suited for a particular application. Crown has built a reputation by building reliable lift trucks that get the job done in the best possible way. And Crown's hand pallet trucks are no exception. On the PTH 50 Series, every feature is matched by serviceability and excellence in execution. Because no matter how small the job, performance is of the highest priority.

## Reliability Comes by Design

The Crown PTH 50 Series is designed to give you performance, from the first day of use until long after it has proved itself as a superior pallet mover day in and day out. This level of reliability never comes by chance, but only by design.

Crown engineers have designed every moving and lifting part of the PTH 50 Series to handle the stresses of your working environment. You'll recognize reliability in every feature and function, from its hydraulic lifting capability (5000 lb capacity) to its efficiency of operation and simplicity of service.

## Features

- Crown Built Durability
- 5000 lb Capacity
- 2.9" Lowered Height
- Articulated Steer Wheels
- Low Rolling Resistance
- Dual Entry/Exit System
- Box Section Style Push Rods
- C-Channel Design of Forks
- Ergonomic Handle Package
- Less Service, More Use



## Articulated Steer Wheels

Crown manufactures the steer and load wheels because these components are critical to durability, as well as handling and control. The 7" steer wheels improve handling and control, while articulated wheels ensure continual contact with the floor, which is especially important on uneven surfaces.

## Low Rolling Resistance

High quality compounds and bearings are used to lower rolling resistance, provide longer wear and ensure smooth and quiet operation.

# Crown Built Durability

## Ergonomic Handle Package

The handle thickness and angled shape were chosen to provide the most fatigue-free operation. A few strokes of the large steering handle result in 5" of lift, while loads can be quickly deposited by pulling the convenient three-position lever. The neutral position eliminates back pressure from the pump allowing the operator to handle the load rather than fight the truck. In addition, the handle is spring-loaded so that it will return to a vertical position when released.





#### **Crown Built Durability**

The PTH 50 Series has all the right answers to the question of durability. Durability starts with a deep, low-profile frame cross brace between the forks and continues with the steel forgings used on the lift link arms. Its hydraulic unit is built to withstand thousands of lift/lower cycles. The bushings in the lift structure of the PTH 50 Series are of the same durable design used in all Crown trucks, a Teflon-impregnated bronze with steel backing. Even the hub cap enhances overall durability, protecting the bearing and steer axle from side impact damage.

#### **5000 lb Capacity**

Go ahead and load it up. From the innovative strength ridges on the apron to the thick reinforcement on the lower handle, this hand pallet truck is designed to take it.

#### **2.9" Lowered Height**

Pallet entry is improved with forks that can be lowered to 2.9". Non-standard pallets become a non-issue.

#### **Dual Entry/Exit System**

Dual systems that combine rollers and ramps are provided for both pallet entry and exit. The metal ramps allow the pallet boards to slide onto the rollers which in turn ensures that the PTH 50 Series will virtually glide in and out of any pallet.

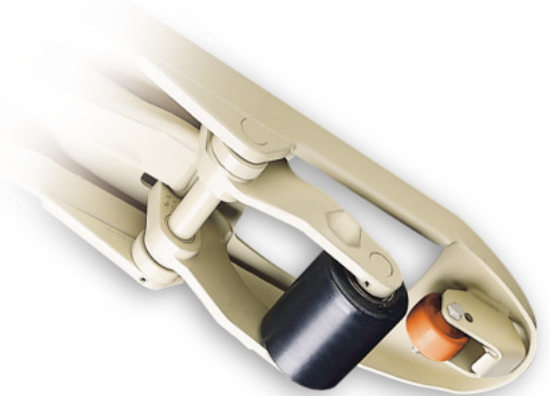
#### **Box-Section Style Push Rods**

The application of box-section style push rods, which are stronger and more durable than other

push rod designs, also demonstrates Crown's commitment to reliability.

#### **C-Channel Design of Forks**

For maximum strength, forks are made from C-channel-design formed steel with steel reinforcing members at key stress areas. Standard fork lengths are available from 36" to 72", and other lengths are available. Overall length is only another 14", which gives these trucks excellent maneuverability in smaller spaces.



# Reliability Comes by Design

#### **Less Service, More Use**

The design starts with a strong, robust frame and linkages. It then incorporates a high level of serviceability to simplify maintenance and prolong equipment life.

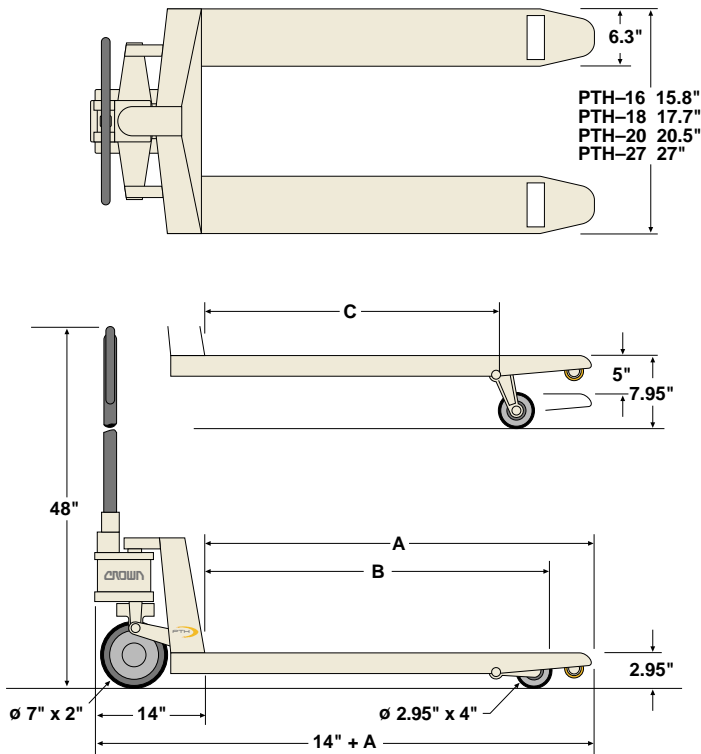
The Crown PTH 50 Series features extensive use of bushings and bearings that are sealed for life, which eliminates all but one grease zerker. Other hand pallet trucks feature grease zerkers that require frequent

maintenance and close attention. And, unlike other hand pallet trucks that require complete replacement of failed hydraulic units, the Crown PTH 50 Series has accessible parts that can easily be maintained. These differences and the many other unique features you'll find on the PTH 50 Series can only come from a company whose commitment to design excellence is exhibited throughout its entire product line.



# Specifications

## PTH 50 Series



**Capacity** .....5000 lb

**Polyurethane wheels**

**Width of each fork** .....6.3"

Steer wheels...Ø 7 x 2" wide

**Lift** .....5"

Load wheels.Ø 2.9 x 4" wide

Model	Width	(A) Fork Length	(B) Load Wheel Lowered	(C) Load Wheel Raised	Weight (lb)
PTH 50 16-36	15.8"	36"	29.5"	23.5"	132
PTH 50 18-42	17.7	42	35.5	29.5	141
PTH 50 18-48	17.7	48	41.5	35.5	148
PTH 50 20-36	20.5	36	29.5	23.5	137
PTH 50 20-42	20.5	42	35.5	29.5	143
PTH 50 20-48	20.5	48	41.5	35.5	150
PTH 50 27-36	27	36	29.5	23.5	143
PTH 50 27-42	27	42	35.5	29.5	150
PTH 50 27-48	27	48	41.5	35.5	159
PTH 50 27-54	27	54	47.5	41.5	174
PTH 50 27-60	27	60	53.5	47.5	187
PTH 50 27-72	27	72	65.5	59.5	209

# Technical Information

## PTH 50 Series

### Optional

**Skid Adaptor** – Increases lowered height to 5.5" to permit skid handling. Raised height increases to 10.5". Adaptor latches in vertical position when truck is needed for handling pallets. Available for 20.5" and 27" width models in fork lengths of 36", 42" and 48" only.

**Load Backrest** – Constructed of 5/16" steel, backrests are available in 48" and 60" sizes. Bolt-on installation allows them to be retrofitted to existing PTHs in the field. Aftermarket kits are available from your Crown dealer.



**Crown Equipment Corporation**

New Bremen, Ohio 45869 USA

**Tel** 419-629-2311

**Fax** 419-629-3796

crown.com

Because Crown is continually improving its products, specifications are subject to change without notice.

Crown and the Momentum symbol are trademarks of Crown Equipment Corporation.

Copyright 2002 Crown Equipment Corporation  
SF12208 Rev. 1/05  
Printed in U.S.A.